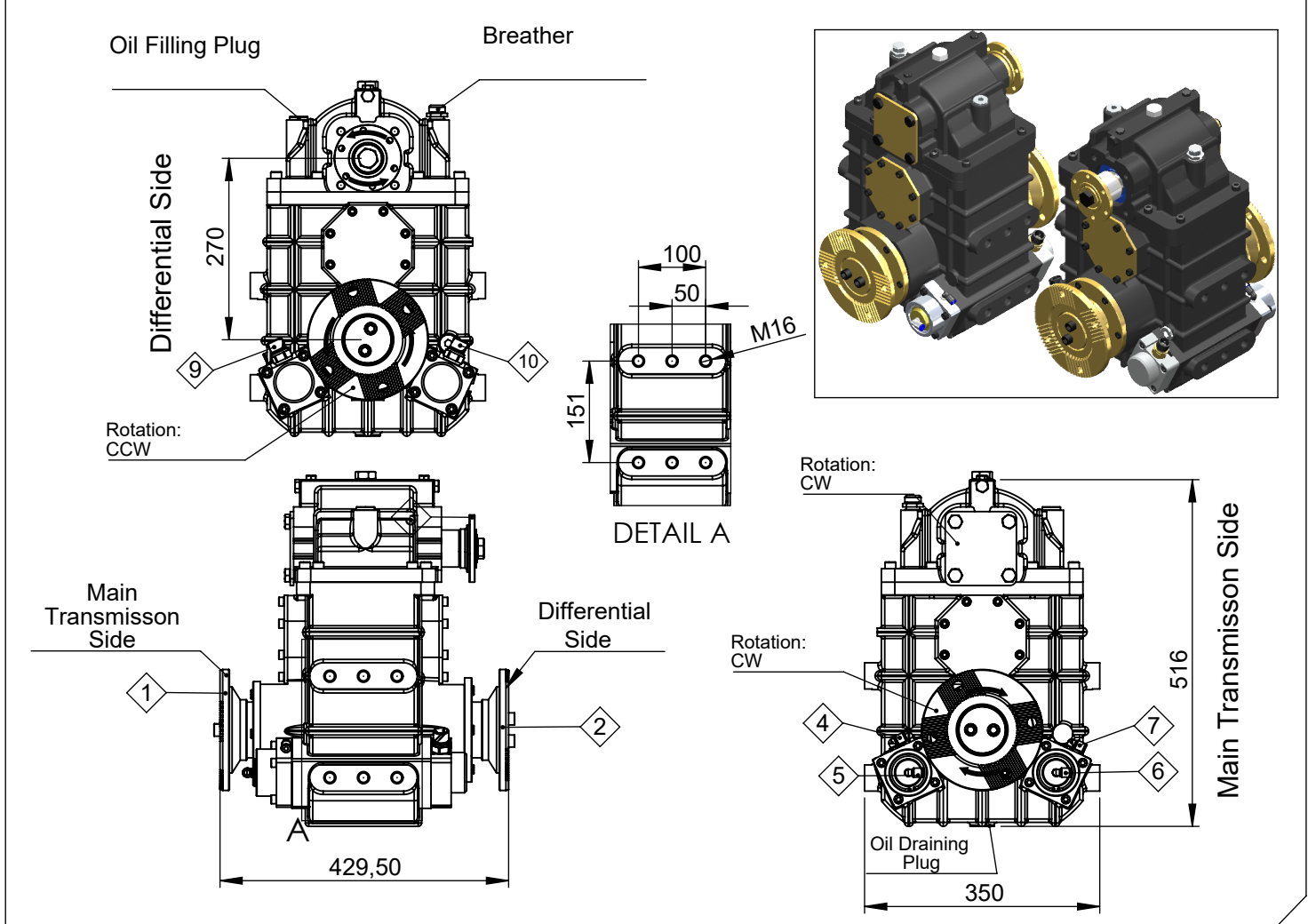


Vehicle Type	For Fire Fighting, Road Service Vehicles, Concrete Pumps
Gearbox Type	3 Stage Vertical Heavy Duty Split Shaft PTO

Product Code	<b>UARA.2002.H.</b>
Revision No-Date	02-21.08.2019

## Ürün Görünümleri



## Opsiyonlar

- 1: ISO 7647-ISO7646-ISO 8667 Standard Flange
- 2: ISO 7647-ISO7646-ISO 8667 Standard Flange
- 3: ISO 7647-ISO7646 Standard Flange
- 4: Air Inlet: Engage PTO Output
- 5: Air Inlet: Disengage PTO Output
- 6: Air Inlet: Engage Main Drive
- 7: Air Inlet: Disengage Main Drive

- 8 : RPM Counter (Optional)
9. On/Off Sensor (Optional)
10. On/Off Sensor (Optional)

## Technical Data

Outputs	Max. Values	Max. rpm	Internal Ratio	Mounting Type	Control Type
1 & 2	2200 Nm		1/1	Shaft	Pneumatic
3	185 kW	2800-3600 rpm	1/1 1/1.2 1/1.4 1/1.6 1/1.84 1/2.25	Weight	Rotation
4				128 kg	



**KOZANOĞLU  
KOZMAKSAN**

HYDRAULIC PUMPS & POWER TAKE-OFFS MANUFACTURING LIMITED CO.  
HİDROLİK POMPA ve ARA ŞANZİMAN PTO İMALAT SAN.LTD.ŞTİ.

**Ofis**  
Tel. +90 312 354 05 39  
Fax +90 312 354 34 59  
7. Sokak No: 9  
Ostim / ANKARA  
e-mail: [info@kozmaksan.com.tr](mailto:info@kozmaksan.com.tr)

**Fabrika**  
Tel. +90 312 267 39 71  
Fax +90 312 267 38 72  
AOS. 1. OSB. Erkunt Cad. No: 6  
Sincan / ANKARA  
Website: [www.kozmaksan.com.tr](http://www.kozmaksan.com.tr)